

ZIP

Recessed LED-based luminaire

Description

Recessed direct luminaire. Housing made of aluminum. Rotary optical part covered with tempered glass. Driver information presented on page 245. Drivers are livered separately.

Installation

Installed in ceilings.

Design

Aluminum housing. The rotary optical part is covered with a tempered glass.

Optical part

Specular reflector.

Usage

Cultural and entertainment facilities

HoReCa / hotels / restaurants / cafes

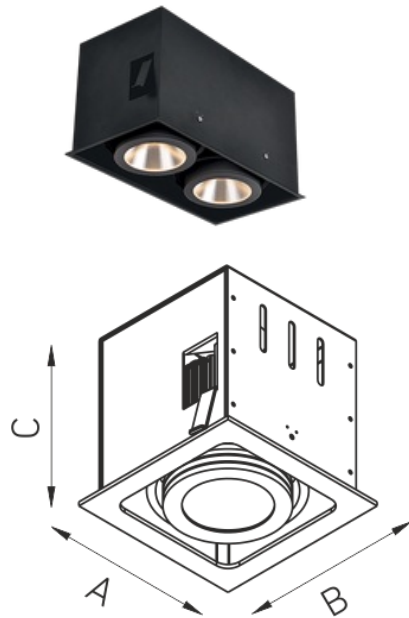
Mall

Meeting rooms

Office and administrative premises

Private interiors

Stores / boutiques



Models list

Title	Luminous flux	Power Capability	lm/W	Length	Width	Weight	Article no.
ZIP B 215 2*15 BL D40 3000K (w/o driver)	1000 lm	30 W	33	232 mm	122 mm	2.100 kg	1275000360
ZIP F 115 15 WH D40 3000K (w/o driver)	1000 lm	15 W	67	130 mm	130 mm	1.200 kg	1275000330
ZIP F 215 2*15 WH D40 3000K (w/o driver)	1000 lm	30 W	33	240 mm	130 mm	2.300 kg	1275000340