

TEOX FHM/T

Adjustable luminaires with concentrating optics



Description

Adjustable luminaires with concentrating optics designed to be installed on a track. Contain a highly efficient metal halide lamp that produces bright light with a high CRI while having a moderate power consumption and long service life.

Installation

Mounted directly on a three-phase euro-DIN track using an universal adapter.

Design

Powder-painted die-cast aluminium housing. The electronic control gear is located in a polycarbonate box.

Optical part

Specular anodized aluminum reflector, tempered silicate protective glass with anti-glare frosting.

Usage

Catering facilities

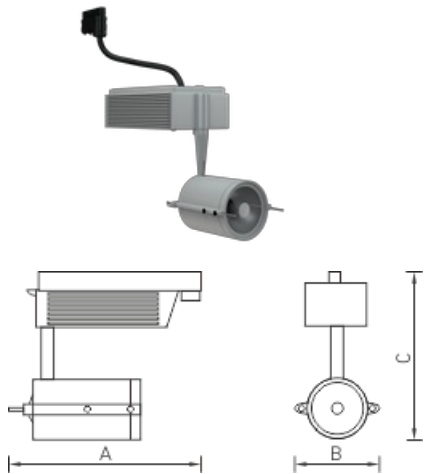
Cultural and entertainment facilities

HoReCa / hotels / restaurants / cafes

Hypermarkets-/supermarkets

Mall

Stores / boutiques



Models list

Title	Number of Lamps	Power Capability	Ballast	Socle	Lamp Type	Length	Width	Article no.
TEOX FHM/T 70 HF	1	70 W	ECG	G12	MHL	290 mm	135 mm	1253000020