

RKL XL

Surface-mounted PMMA luminaire

Description

Ceiling surface mounted luminaire creates diffused illumination. Opal diffuser made with blown PMMA. Mounting plate made of metal painted matte white. Available with standard electronic control gear and with 1–10V regulated control gear.

Installation

On a ceiling or wall.

Design

Blown opal PMMA diffuser. The diffuser is attached to a metal plate using special latches. Control gear is installed on the plate.

Optical part

Opal PMMA diffuser.

Usage

Cultural and entertainment facilities

HoReCa / hotels / restaurants / cafes

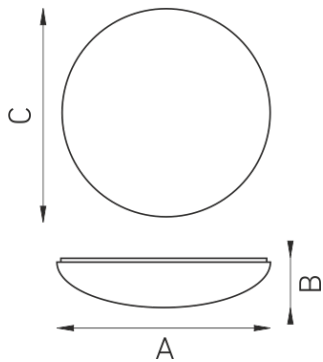
Mall

Meeting rooms

Office and administrative premises

Private interiors

Stores / boutiques



Models list

Title	Luminous flux	Power Capability	lm/W	Length	Width	Weight	Article no.
RKL XL 110 4000K	6050 lm	110 W	55	1030 mm	0 mm	7.500 kg	1149000040
RKL XL 455	4800 lm	220 W	38	1030 mm	0 mm	8.000 kg	1149000010