

RADO

Recessed LED-based luminaire

Description

Recessed LED downlight, made of aluminum, painted matt paint. Optical part protected by glass. Standard color: WH – white. Standard reflector – 45 degr.

Installation

Installed in ceilings.

Design

The body is made of aluminium. Decorative frame is made from aluminium and painted from matt white. The luminaire have a protective glass or lens. Depending on the type luminaire used (grid, matt difusser, prisma etc.) different versions are available.

Optical part

Lens/reflector

Usage

Cultural and entertainment facilities

HoReCa / hotels / restaurants / cafes

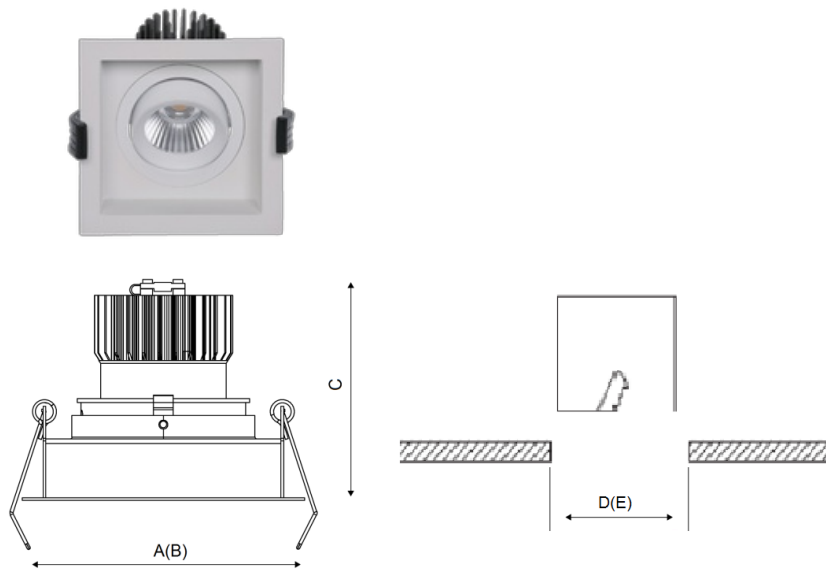
Mall

Meeting rooms

Office and administrative premises

Private interiors

Stores / boutiques



Models list

Title	Luminous flux	Power Capability	lm/W	Length	Width	Weight	Article no.
RADO 2x13 WH D45 3000K (with driver)	3000 lm	30 W	100	203 mm	110 mm	0.850 kg	1278000400
RADO 07 WH D45 4000K DALI	725 lm	9 W	81	108 mm	108 mm	0.450 kg	1278000300
RADO 13 WH D45 4000K (with driver)	1500 lm	15 W	100	108 mm	108 mm	0.580 kg	1278000030
RADO 18 WH D45 3000K (with driver)	2150 lm	20 W	108	108 mm	108 mm	0.650 kg	1278000170
RADO 13 BL D45 4000K (with driver)	1500 lm	15 W	100	108 mm	108 mm	0.580 kg	1278000150
RADO 18 BL D45 3000K (with driver)	2150 lm	20 W	108	108 mm	108 mm	0.650 kg	1278000270
RADO 18 WH D45 4000K DALI	2150 lm	20 W	108	108 mm	108 mm	0.650 kg	1278000320
RADO 07 WH D45 3000K (with driver)	725 lm	9 W	81	108 mm	108 mm	0.450 kg	1278000010
RADO 07 BL D45 3000K (with driver)	725 lm	9 W	81	108 mm	108 mm	0.300 kg	1278000090
RADO 2x07 BL D45 3000K (with driver)	1450 lm	18 W	81	203 mm	110 mm	0.530 kg	1278000440
RADO 18 WH D45 4000K (with driver)	2150 lm	20 W	108	108 mm	108 mm	0.650 kg	1278000240
RADO 2x07 WH D45 3000K (with driver)	1450 lm	18 W	81	203 mm	110 mm	0.530 kg	1278000450
RADO 13 BL D45 3000K (with driver)	1500 lm	15 W	100	108 mm	108 mm	0.380 kg	1278000130
RADO 07 WH D45 4000K (with driver)	725 lm	9 W	81	108 mm	108 mm	0.450 kg	1278000040
RADO 2x13 WH D45 4000K (with driver)	3000 lm	30 W	100	203 mm	110 mm	0.850 kg	1278000390
RADO 13 WH D45 3000K (with driver) /E/	1500 lm	15 W	100	108 mm	108 mm	0.580 kg	1997025370
RADO 2x07 WH D45 4000K (with driver)	1450 lm	18 W	81	203 mm	110 mm	0.530 kg	1278000460
RADO 2x13 BL D45 3000K (with driver)	3000 lm	30 W	100	203 mm	110 mm	0.850 kg	1278000410
RADO 2x13 BL D45 4000K (with driver)	3000 lm	30 W	100	203 mm	110 mm	0.850 kg	1278000420
RADO 2x07 BL D45 4000K (with driver)	1450 lm	18 W	81	203 mm	110 mm	0.530 kg	1278000430
RADO 18 BL D45 4000K (with driver)	2150 lm	20 W	108	108 mm	108 mm	0.650 kg	1278000280
RADO 2x18 WH D45 4000K (with driver)	4300 lm	40 W	108	203 mm	110 mm	0.990 kg	1278000370
RADO 2x18 BL D45 4000K (with driver)	4300 lm	40 W	108	203 mm	110 mm	0.990 kg	1278000380
RADO 07 BL D45 4000K (with driver)	725 lm	9 W	81	108 mm	108 mm	0.450 kg	1278000110