

## PLW 005

Wall-mounted plaster luminaire

### Description

Wall-mounted indirect luminaire. Gypsum housing, metal mounting plate painted white. Gypsum surface can be painted after treatment with primer.

### Installation

Mounted on a wall.

### Design

Wall-mounted plaster luminaire. A linear fluorescent lamp is used as the light source. The electronic ballast is located inside the luminaire housing. The luminaire is fastened via the mounting plate.

### Usage

Cultural and entertainment facilities

HoReCa / hotels / restaurants / cafes

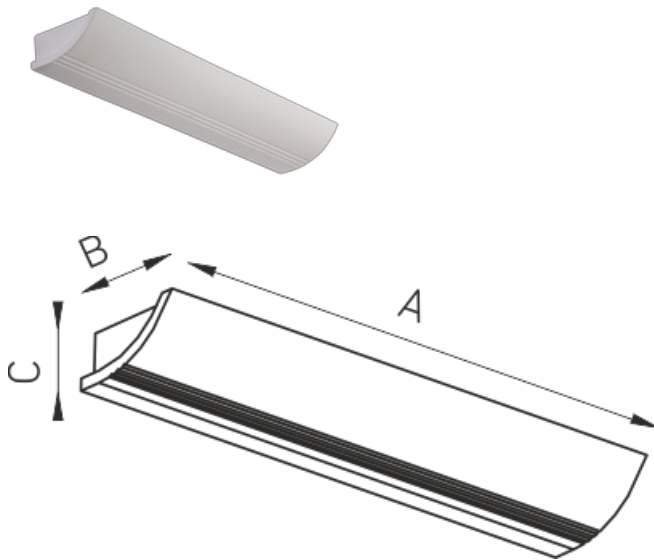
Mall

Meeting rooms

Office and administrative premises

Private interiors

Stores / boutiques



**Models list**

Title	Number of Lamps	Power Capability	Ballast	Socle	Lamp Type	Length	Width	Article no.
PLW 005	1	14 W	ECG	G5	FL	665 mm	125 mm	1537000050