

PHANTOM LED CF

Suspended luminaire with a polyethylene diffuser and variable color temperature.

Description

Suspended luminaire creates diffused illumination. Opal diffuser made of rotational molding polyethylene. Metal mounting plate painted matte white. The CF series means the possibility of changing the color temperature of light in the range from 2800K to 5800K within the DALI control system of luminaires. OTX LED CF can be part of the automated innovative DALI lighting control system, which simulates a solar cycle of changing color temperature throughout the day, as well as the possibility of manual control of the color temperature of the luminaire using DALI DT8 lighting control devices. In addition to the fact that the luminaire provides the most comfortable lighting and is energy-saving, it can positively influence the working capacity, mood and well-being of a person.

Installation

Suspended to a ceiling. To control the color temperature of the luminaires, a DALI lighting control system is required that supports the latest DALI revision of EN62386 Part 209 in the DALI Device Type 8 (DALI DT8) color temperature management plan.

Design

The diffuser is fastened to the structural bars that hold the control gear.

Optical part

Opal polyethylene diffuser.

Usage

Cultural and entertainment facilities

HoReCa / hotels / restaurants / cafes

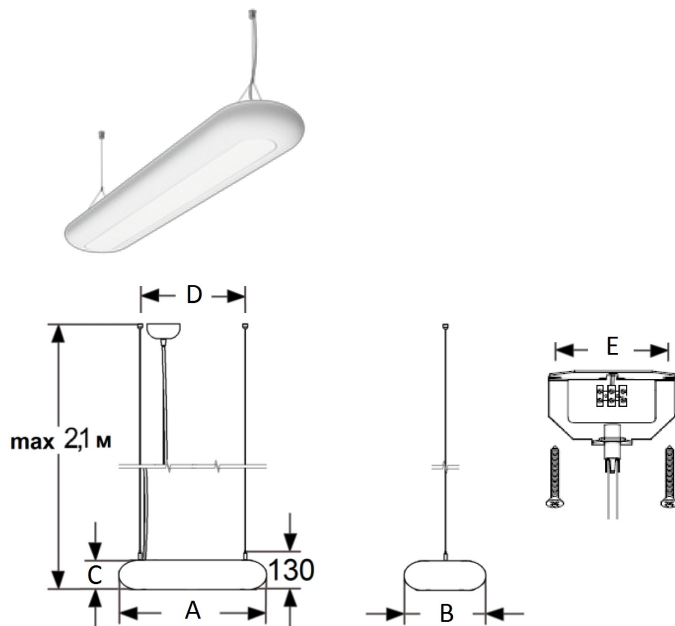
Medical institutions

Meeting rooms

Office and administrative premises

Private interiors

Stores / boutiques



Models list

Title	Luminous flux	Power Capability	lm/W	Length	Width	Weight	Article no.
PHANTOM LED 35 CH CF /E/	5000 lm	35 W	143	1400 mm	280 mm	6.500 kg	1997028430