

LZ

LZ series luminaires

Description

Industrial luminaire with a high IP rating and high luminous efficacy. Designed for harsh operating conditions. Versions can be manufactured with Class II electrical protection, an emergency power supply unit, lighting control function, and vandal-proof construction.

Installation

Mounted on the ceiling/wall surface or suspended indoors or under a canopy. Mounting plates and brackets are included.

Design

Grey polycarbonate housing. Removable metal panel with control gear.

Optical part

Polycarbonate diffuser secured to the housing with metal latches.

Usage

Consumer service

Greenhouse (crop)

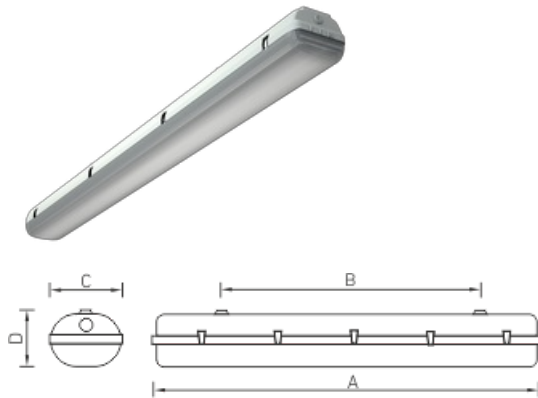
Industrial enterprises

Parking lots / garages

Stores / boutiques

Transport hubs (railway stations, airports)

Warehouse facilities



Models list

Title Number of Lamps Power Capability Ballast Socle Lamp Type Length Width Article no.