

DLO

Directional luminaires with compact fluorescent lamps

Description

Directional luminaire in a lightweight polycarbonate housing with an IP44 rated optical part.

Installation

Installed recessed in Armstrong type suspended ceilings or plasterboard ceilings.

Design

Polycarbonate housing. The control gear is mounted on a galvanized steel plate permanently attached to the luminaire housing.

Optical part

Matte PMMA diffuser.

Usage

Cultural and entertainment facilities

Hypermarkets-/supermarkets

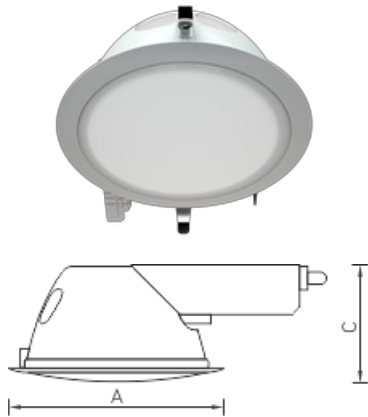
Mall

Meeting rooms

Office and administrative premises

Stairs / hallways

Stores / boutiques



Models list

Title	Number of Lamps	Power Capability	Ballast	Socle	Lamp Type	Length	Width	Article no.
DLO 218 HF	2	36 W	ECG	G24q-2	CFL	350 mm	221 mm	1195000100
DLO 126 HF	1	26 W	ECG	G24q-3	CFL	350 mm	221 mm	1195000060