

DL POWER LED

Directional luminaires

Description

High-power LED-based luminaire of a unique style. Ideal for rooms with ceilings up to 8 m high. Luminous efficacy up to 90 lm/W. Reflector angles from medium (40 deg) to wide (80 deg). Wide choice of installation options

Installation

Installed recessed in Armstrong type suspended ceilings, plasterboard ceilings, or Grilliato type ceilings (on a wire rope suspension).

Design

Die-cast aluminum housing. A LED module with secondary optics is installed in the housing. The driver is located outside of the housing.

Optical part

Satin PMMA diffuser. LED type: COB. Reflector angles: 40, 60 or 80 degrees.

Usage

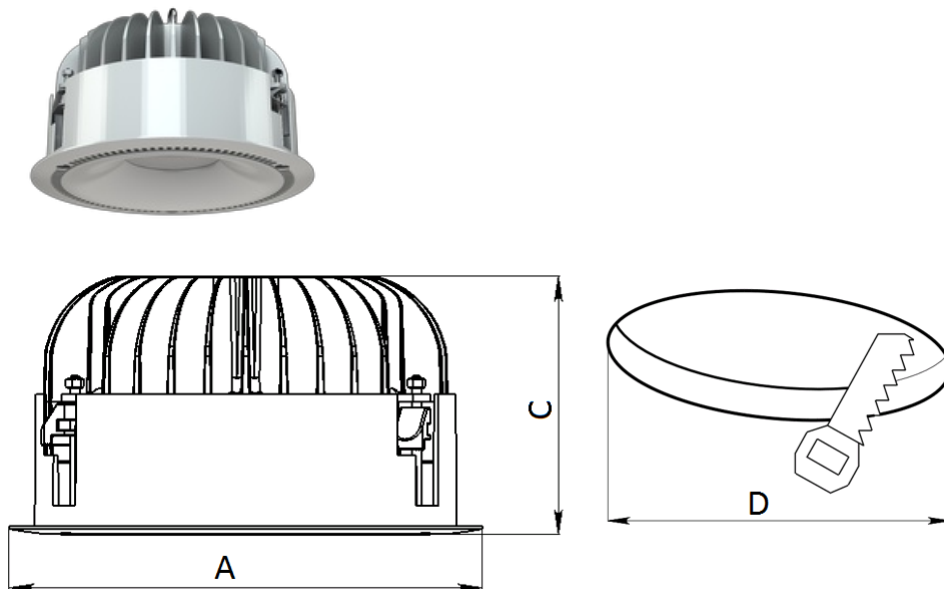
Hypermarkets-/supermarkets

Mall

Meeting rooms

Office and administrative premises

Stores / boutiques



Models list

Title	Luminous flux	Power Capability	lm/W	Length	Width	Weight	Article no.
DL POWER LED 40 D60 HFD 3000K /E/	3450 lm	34 W	101	234 mm	0 mm	2.900 kg	1997023840
DL POWER LED 40 D80 4000K /E/	3450 lm	34 W	101	234 mm	0 mm	2.900 kg	1997015520
DL POWER LED 40 D40 HFD 3000K /E/	3450 lm	34 W	101	234 mm	0 mm	2.900 kg	1997023850
DL POWER LED 40 D60 4000K /E/	3450 lm	34 W	101	234 mm	0 mm	2.600 kg	1997013360
DL POWER LED 60 D40 4000K /E/	6750 lm	54 W	125	234 mm	0 mm	2.900 kg	1997015550
DL POWER LED 60 D80 4000K /E/	6750 lm	54 W	125	234 mm	0 mm	2.900 kg	1997015640
DL POWER LED 40 D40 4000K /E/	3450 lm	34 W	101	234 mm	0 mm	2.900 kg	1997015440
DL POWER LED 60 D60 4000K /E/	6750 lm	54 W	125	234 mm	0 mm	2.900 kg	1997015580