

DISCO 10/15/25

Recessed LED-based luminaire

Description

Recessed down light. Housing and decorative frame made of matte white painted aluminum. Optical part covered by polymeric glass. Drivers are delivered separately.

Installation

Installed in ceilings.

Design

Matte white painted aluminum housing and decorative frame. The optical part is covered with a polymeric glass. No driver. Driver selection information can be found in a file called "Choosing drivers for LED luminaires.pdf". The driver list is on the Accessories tab.

Optical part

Reflector.

Usage

Cultural and entertainment facilities

HoReCa / hotels / restaurants / cafes

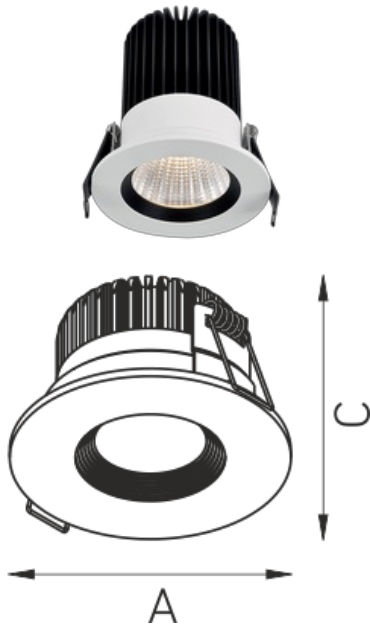
Mall

Meeting rooms

Office and administrative premises

Private interiors

Stores / boutiques



Models list

Title	Luminous flux	Power Capability	lm/W	Length	Width	Weight	Article no.
DISCO 25 3000K (w/o driver)	1720 lm	25 W	69	150 mm	0 mm	1.100 kg	1555000040