

ZIP F 115 15 WH D40 3000K (w/o driver)

Recessed LED-based luminaire

Description

Recessed direct luminaire. Housing made of aluminum. Rotary optical part covered with tempered glass. Driver information presented on page 245. Drivers are livered separately.

Installation

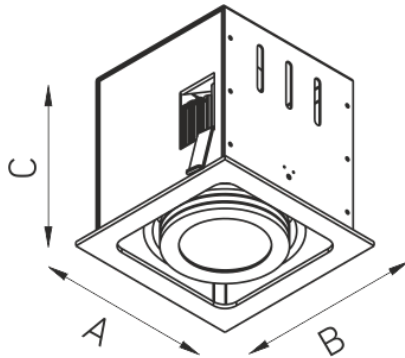
Installed in ceilings.

Design

Aluminum housing. The rotary optical part is covered with a tempered glass.

Optical part

Specular reflector.



Dimensional characteristics

A	Length	130 mm
B	Width	130 mm
C	Height	127 mm
D	Length (mounting)	115 mm
E	Width (mounting)	115 mm
	Weight	1.2 kg

Technical features

1	Article no.	1275000330
2	Light source	LED
3	Luminous flux	1000 lm
4	Power compatibility	15 W
5	Energy efficiency	67 lm/W
6	Color rendering index (CRI)	>80
7	Color temperature	3000 K
8	Power factor (cosFI)	= 1,00
9	Alternating/direct current (AC/DC)	No
10	Dimming	-
11	Rated voltage	21 V
12	Electrical shock protection	III
13	Electromagnetic compatibility (EMC)	Yes
14	Climate application	Clm App4
15	Ambient temperature	+5 to +35 C
16	Housing color	White
17	Fire protection class	III
18	Flickering	0
19	Ingress protection (IP)	IP20
20	Mechanical shock protection	IK02/0,2 J
21	Energy efficiency class	A
22	Inrush current	-
23	Inrush current impulse time	0 µs
24	Emergency power supply unit	No
25	Beam angle	D40
26	Warranty	60 months
27	Autonomy in emergency mode	-
28	Light flux in emergency mode	-