

UFO/S DL LED 25 D45 4000K /E/

Directional luminaire



Description

Exclusively-styled rotary surface-mounted luminaire. The compact size and a choice of reflector angles from narrow to medium give an immense freedom to create unique and memorable interiors.

Installation

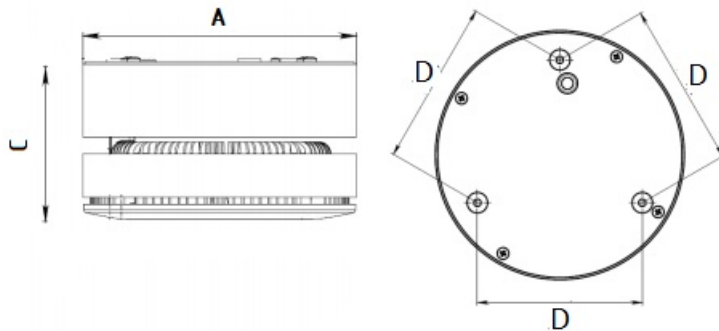
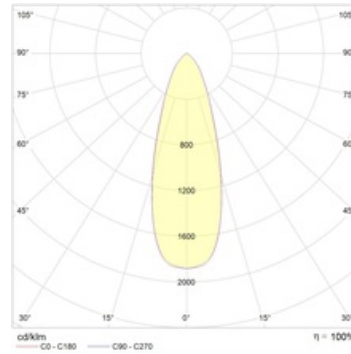
Mounted on the ceiling surface.

Design

Powder-painted extruded aluminum body. The driver is located inside the housing. The optical part can be tilted up to 90 degrees from the horizontal and up to 355 degrees from the vertical.

Optical part

LED type: COB. Hybrid lens with 10, 24 and 45 degrees beam angles.



Dimensional characteristics

A	Diameter	170 mm
C	Height	100 mm
D	Length (mounting)	113 mm
	Weight	2 kg

Technical features

1	Article no.	1997019340
2	Light source	LED
3	Luminous flux	2100 lm
4	Power compatibility	20 W
5	Energy efficiency	105 lm/W
6	Color rendering index (CRI)	>80
7	Color temperature	4000 K
8	Power factor (cosFI)	> 0,97
9	Alternating/direct current (AC/DC)	No
10	Dimming	-
11	Rated voltage	230 V
12	Electrical shock protection	I
13	Electromagnetic compatibility (EMC)	Yes
14	Climate application	Clim App4
15	Ambient temperature	+5 to +35 C
16	Housing color	White
17	Fire protection class	-
18	Flickering	<5%
19	Ingress protection (IP)	IP20
20	Mechanical shock protection	IK02/0,2 J
21	Energy efficiency class	A+
22	Inrush current	5 A
23	Inrush current impulse time	50 µs
24	Emergency power supply unit	No
25	Beam angle	D45
26	Warranty	60 months
27	Autonomy in emergency mode	-
28	Light flux in emergency mode	-