

TEOX FHM/T 70 HF

Adjustable luminaires with concentrating optics

Description

Adjustable luminaires with concentrating optics designed to be installed on a track. Contain a highly efficient metal halide lamp that produces bright light with a high CRI while having a moderate power consumption and long service life.

Installation

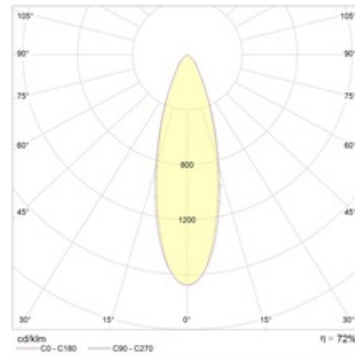
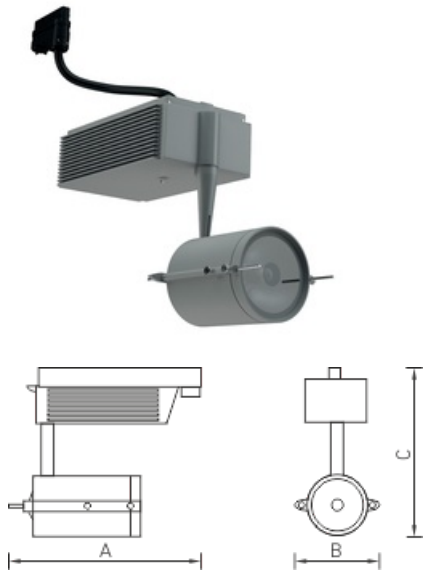
Mounted directly on a three-phase euro-DIN track using an universal adapter.

Design

Powder-painted die-cast aluminium housing. The electronic control gear is located in a polycarbonate box.

Optical part

Specular anodized aluminum reflector, tempered silicate protective glass with anti-glare frosting.



Dimensional characteristics

A	Length	290 mm
B	Width	135 mm
C	Height	260 mm
	Weight	2.0 kg

Technical features

1	Article no.	1253000020
2	Light source	MHL
3	Socle	G12
4	Number of Lamps	1
5	Power compatibility	70 W
6	Ballast	ECG
7	Dimming	-
8	Power factor (cosFI)	> 0,95
9	Alternating/direct current (AC/DC)	No
10	Rated voltage	230 V
11	Electrical shock protection	I
12	Electromagnetic compatibility (EMC)	Yes
13	Climate application	Clm App4
14	Ambient temperature	+5 to +35 C
15	Housing color	Metallic
16	Fire protection class	-
17	Flickering	<5%
18	Ingress protection (IP)	IP20
19	Mechanical shock protection	IK02/0,2 J
20	Energy efficiency class	B...A+
21	Emergency power supply unit	No
22	Beam angle	-
23	Warranty	36 months