

STAR NBT LED 18 silver 4000K /E/

Wall-mounted luminaires

Description

STAR LED is a family of vandal-proof luminaires in a compact aluminum housing with a high degree of protection (IP65) for illuminating passages, utility rooms, entrances, and building areas.

Installation

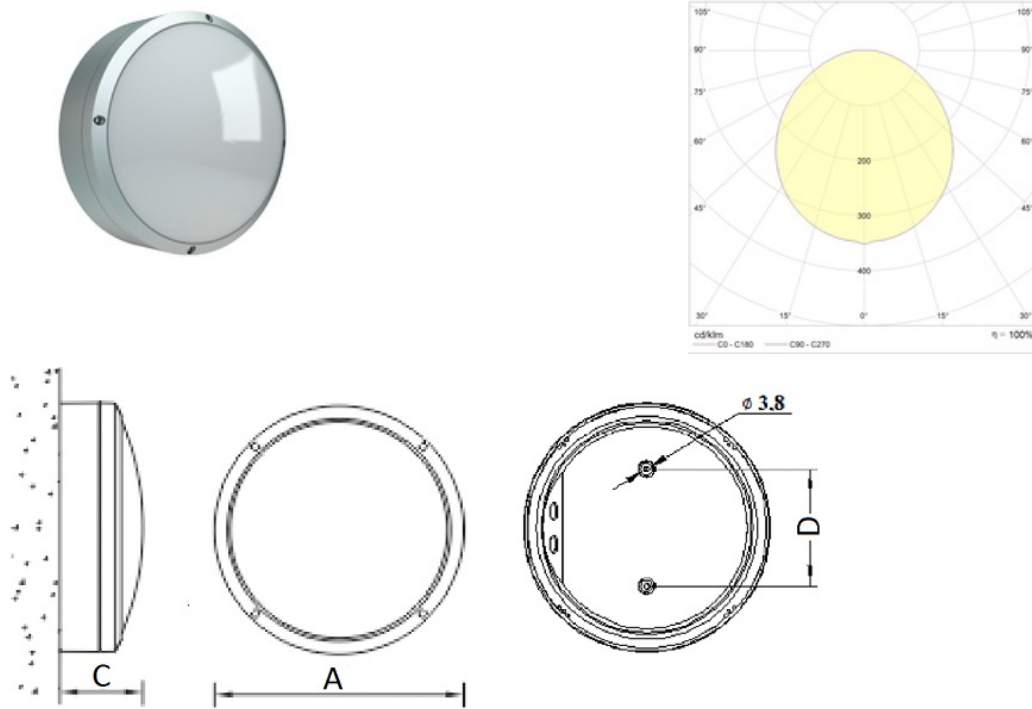
Luminaire shall be fixed at wall or ceiling surface.

Design

Housing is made of die-cast aluminum. The control gear is mounted on a metal plate inside the housing.

Optical part

Opal diffuser of polycarbonate. LED type: SMD.



Dimensional characteristics

A	Diameter	287 mm
C	Height	111 mm
D	Diameter (mounting)	215 mm
	Weight	1.8 kg

Technical features

1	Article no.	1997013370
2	Light source	LED
3	Luminous flux	1500 lm
4	Power compatibility	17 W
5	Energy efficiency	88 lm/W
6	Color rendering index (CRI)	>80
7	Color temperature	4000 K
8	Power factor (cosFI)	> 0,85
9	Alternating/direct current (AC/DC)	Yes
10	Dimming	-
11	Rated voltage	230 V
12	Electrical shock protection	I
13	Electromagnetic compatibility (EMC)	Yes
14	Climate application	Clim App1
15	Ambient temperature	-40 to +40 C
16	Housing color	Silver
17	Fire protection class	-
18	Flickering	<1%
19	Ingress protection (IP)	IP65
20	Mechanical shock protection	IK10/20 J
21	Energy efficiency class	A+
22	Inrush current	7 A
23	Inrush current impulse time	50 µs
24	Emergency power supply unit	No
25	Beam angle	D110
26	Warranty	60 months
27	Autonomy in emergency mode	-
28	Light flux in emergency mode	-