

STAR NBT LED 12 black 4000K /E/

Wall-mounted luminaires

Description

STAR LED is a family of vandal-proof luminaires in a compact aluminum housing with a high degree of protection (IP65) for illuminating passages, utility rooms, entrances, and building areas.

Installation

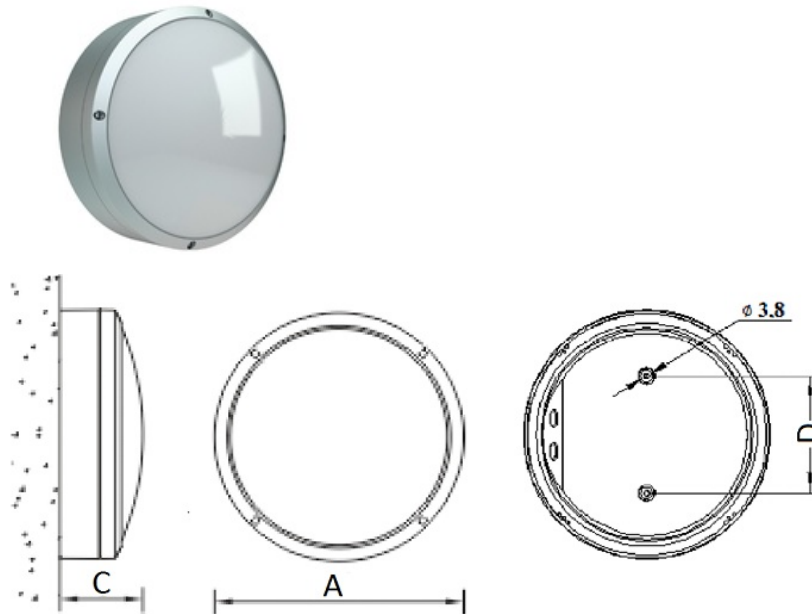
Luminaire shall be fixed at wall or ceiling surface.

Design

Housing is made of die-cast aluminum. The control gear is mounted on a metal plate inside the housing.

Optical part

Opal diffuser of polycarbonate. LED type: SMD.



Dimensional characteristics

| | | |
|---|---------------------|--------|
| A | Diameter | 287 mm |
| C | Height | 111 mm |
| D | Diameter (mounting) | 215 mm |
| | Weight | 1.8 kg |

Technical features

| | | |
|----|-------------------------------------|--------------|
| 1 | Article no. | 1997018980 |
| 2 | Light source | LED |
| 3 | Luminous flux | 900 lm |
| 4 | Power compatibility | 12 W |
| 5 | Energy efficiency | 75 lm/W |
| 6 | Color rendering index (CRI) | >80 |
| 7 | Color temperature | 4000 K |
| 8 | Power factor (cosFI) | > 0,85 |
| 9 | Alternating/direct current (AC/DC) | Yes |
| 10 | Dimming | - |
| 11 | Rated voltage | 230 V |
| 12 | Electrical shock protection | II |
| 13 | Electromagnetic compatibility (EMC) | Yes |
| 14 | Climate application | Clim App1 |
| 15 | Ambient temperature | -20 to +40 C |
| 16 | Housing color | Black |
| 17 | Fire protection class | - |
| 18 | Flickering | <10% |
| 19 | Ingress protection (IP) | IP65 |
| 20 | Mechanical shock protection | IK10/20 J |
| 21 | Energy efficiency class | A |
| 22 | Inrush current | - |
| 23 | Inrush current impulse time | 0 µs |
| 24 | Emergency power supply unit | No |
| 25 | Beam angle | - |
| 26 | Warranty | 60 months |
| 27 | Autonomy in emergency mode | - |
| 28 | Light flux in emergency mode | - |