

SPACE LED dream 1500 CS 4000K /E/

Direct-indirect modular suspension system



Description

Modular LED-based suspension lighting system for offices, classrooms, and meeting rooms. Combines stylish exterior and high energy efficiency. Up-light versions produce ambient light reflected from the ceiling.

Installation

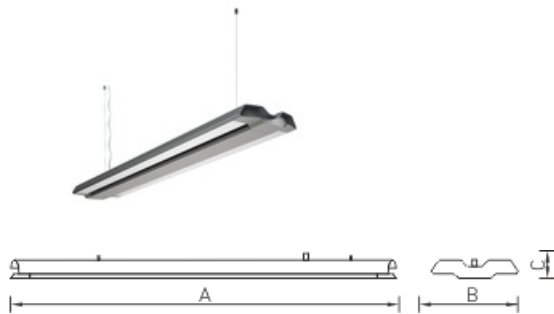
Mounted on the ceiling surface using the included wire-rope suspensions.

Design

Metallic powder-painted aluminum profile housing. Die-cast aluminum end caps. The driver is located inside the housing. For in-line installation, the modules described below need to be used. CS is the starting unit of a modular system, a luminaire with one end cap, a connecting element kit, and an infeed. CF is the final unit of a modular system, a luminaire with one end cap and a connecting element kit. CE is the main unit of a modular system, a luminaire without end caps a connecting element kit. The maximum number of luminaires that can be installed in one line with through wiring is 30 for the top-backlighted version and 60 for the version without backlighting.

Optical part

The LED module is mounted on an aluminium profile that functions as a heatsink and covered with an opal PMMA diffuser. The top-highlighted version (Up) produces ambient light reflected from the ceiling. LED type: SMD.



Dimensional characteristics

A	Length	1404 mm
B	Width	246 mm
C	Height	53 mm
D	Length (mounting)	1404 mm
	Weight	6.4 kg

Technical features

1	Article no.	1997018720
2	Light source	LED
3	Luminous flux	4400 lm
4	Power compatibility	46 W
5	Energy efficiency	96 lm/W
6	Color rendering index (CRI)	>80
7	Color temperature	4000 K
8	Power factor (cosFI)	> 0,96
9	Alternating/direct current (AC/DC)	Yes
10	Dimming	-
11	Rated voltage	230 V
12	Electrical shock protection	I
13	Electromagnetic compatibility (EMC)	Yes
14	Climate application	CIm App4
15	Ambient temperature	+5 to +35 C
16	Housing color	Metallic
17	Fire protection class	-
18	Flickering	<1%
19	Ingress protection (IP)	IP20
20	Mechanical shock protection	IK02/0,2 J
21	Energy efficiency class	A+
22	Inrush current	20 A
23	Inrush current impulse time	0 µs
24	Emergency power supply unit	No
25	Beam angle	D120
26	Warranty	60 months
27	Autonomy in emergency mode	-
28	Light flux in emergency mode	-