

# RADO 07 WH D45 4000K DALI

Recessed LED-based luminaire



## Description

Recessed LED downlight, made of aluminum, painted matt paint. Optical part protected by glass. Standard color: WH – white. Standard reflector – 45 degr.

## Installation

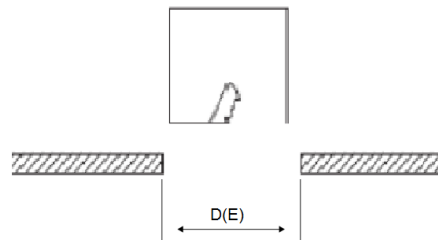
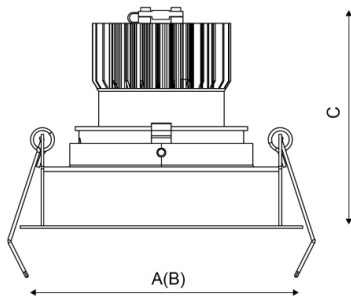
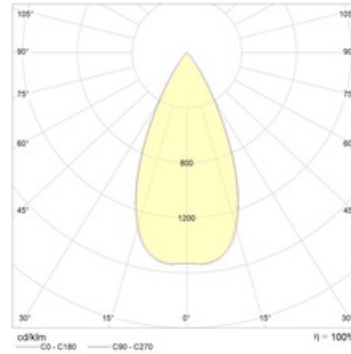
Installed in ceilings.

## Design

The body is made of aluminium. Decorative frame is made from aluminium and painted from matt white. The luminaire have a protective glass or lens. Depending on the type luminaire used (grid, matt difusser, prisma etc.) different versions are available.

## Optical part

Lens/reflector



## Dimensional characteristics

|   |                   |        |
|---|-------------------|--------|
| A | Length            | 108 mm |
| B | Width             | 108 mm |
| C | Height            | 88 mm  |
| D | Length (mounting) | 96 mm  |
| E | Width (mounting)  | 96 mm  |
|   | Weight            | 0.5 kg |

## Technical features

|    |                                     |             |
|----|-------------------------------------|-------------|
| 1  | Article no.                         | 1278000300  |
| 2  | Light source                        | LED         |
| 3  | Luminous flux                       | 725 lm      |
| 4  | Power compatibility                 | 9 W         |
| 5  | Energy efficiency                   | 81 lm/W     |
| 6  | Color rendering index (CRI)         | >80         |
| 7  | Color temperature                   | 4000 K      |
| 8  | Power factor (cosFI)                | > 0,80      |
| 9  | Alternating/direct current (AC/DC)  | No          |
| 10 | Dimming                             | -           |
| 11 | Rated voltage                       | 230 V       |
| 12 | Electrical shock protection         | II          |
| 13 | Electromagnetic compatibility (EMC) | No          |
| 14 | Climate application                 | Clm App4    |
| 15 | Ambient temperature                 | +5 to +35 C |
| 16 | Housing color                       | White       |
| 17 | Fire protection class               | III         |
| 18 | Flickering                          | <5%         |
| 19 | Ingress protection (IP)             | IP20        |
| 20 | Mechanical shock protection         | IK02/0,2 J  |
| 21 | Energy efficiency class             | A+          |
| 22 | Inrush current                      | 30 A        |
| 23 | Inrush current impulse time         | 1.5 µs      |
| 24 | Emergency power supply unit         | No          |
| 25 | Beam angle                          | D45         |
| 26 | Warranty                            | 60 months   |
| 27 | Autonomy in emergency mode          | -           |
| 28 | Light flux in emergency mode        | -           |