

## PROFILE 30 (profile + diffuser 2500mm)

Recessed profile system



### Description

Built-in lighting system based on the profile PROFILE, creating a diffuse light. The body is made of extruded anodized aluminum, diffuser is extruded polycarbonate plastic. End caps are made of aluminum coated with paint "metallic" color. The power supply installed in the ceiling cup or in the ceiling void. Available ready-made models and individual components.

### Installation

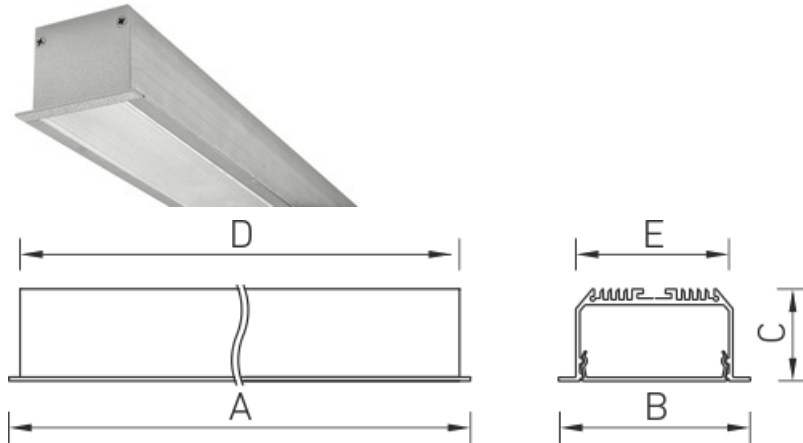
Installed recessed in various surfaces.

### Design

Anodized extruded aluminum profile housing, extruded polycarbonate profile diffuser. Anodized aluminum end caps and galvanized steel fasteners are supplied separately.

### Optical part

Extruded polycarbonate profile diffuser.



## Dimensional characteristics

A	Length	2500 mm
B	Width	47 mm
C	Height	35 mm
D	Length (mounting)	2491 mm
E	Width (mounting)	38 mm
	Weight	1.9 kg

## Technical features

1	Article no.	2398000030
2	Light source	-
3	Luminous flux	0 lm
4	Power compatibility	0 W
5	Energy efficiency	0 lm/W
6	Color rendering index (CRI)	-
7	Color temperature	-
8	Power factor (cosFI)	> 0,96
9	Alternating/direct current (AC/DC)	No
10	Dimming	-
11	Rated voltage	230 V
12	Electrical shock protection	-
13	Electromagnetic compatibility (EMC)	Yes
14	Climate application	Clm App4
15	Ambient temperature	+5 to +35 C
16	Housing color	Silver
17	Fire protection class	III
18	Flickering	-
19	Ingress protection (IP)	-
20	Mechanical shock protection	-
21	Energy efficiency class	-
22	Inrush current	-
23	Inrush current impulse time	0 µs
24	Emergency power supply unit	No
25	Beam angle	-
26	Warranty	36 months
27	Autonomy in emergency mode	-
28	Light flux in emergency mode	-
29	Color of light	-