

PLW 005

Wall-mounted plaster luminaire

Description

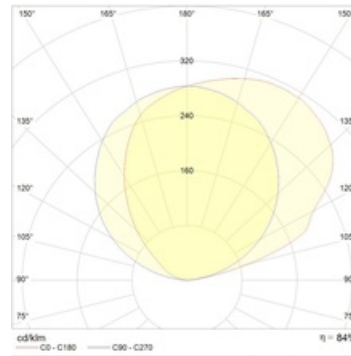
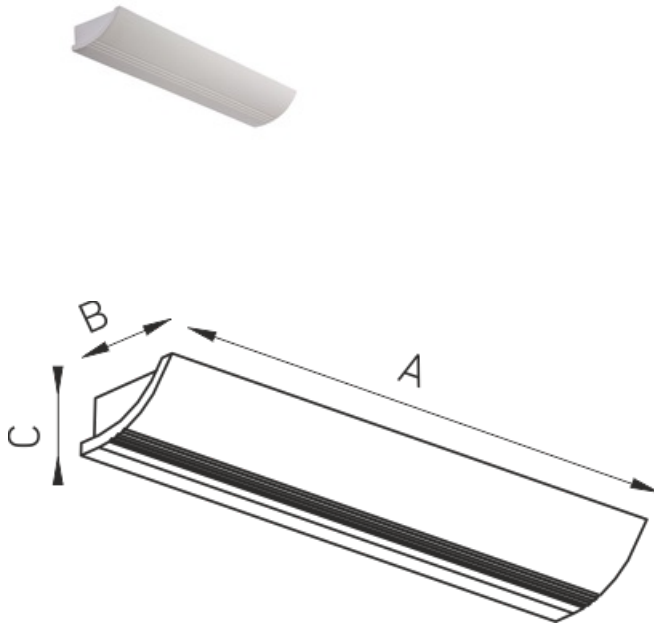
Wall-mounted indirect luminaire. Gypsum housing, metal mounting plate painted white. Gypsum surface can be painted after treatment with primer.

Installation

Mounted on a wall.

Design

Wall-mounted plaster luminaire. A linear fluorescent lamp is used as the light source. The electronic ballast is located inside the luminaire housing. The luminaire is fastened via the mounting plate.



Dimensional characteristics

A	Length	665 mm
B	Width	125 mm
C	Height	60 mm
	Weight	2.4 kg

Technical features

1	Article no.	1537000050
2	Light source	FL
3	Socle	G5
4	Number of Lamps	1
5	Power compatibility	14 W
6	Ballast	ECG
7	Dimming	-
8	Power factor (cosFI)	> 0,90
9	Alternating/direct current (AC/DC)	No
10	Rated voltage	230 V
11	Electrical shock protection	I
12	Electromagnetic compatibility (EMC)	Yes
13	Climate application	Clm App4
14	Ambient temperature	+5 to +35 C
15	Housing color	White
16	Fire protection class	III
17	Flickering	<10%
18	Ingress protection (IP)	IP20
19	Mechanical shock protection	IK02/0,2 J
20	Energy efficiency class	A...A+
21	Emergency power supply unit	No
22	Beam angle	-
23	Warranty	36 months