

# PHANTOM LED 35 CH CF /E/



Suspended luminaire with a polyethylene diffuser and variable color temperature.

### Description

Suspended luminaire creates diffused illumination. Opal diffuser made of rotational molding polyethylene. Metal mounting plate painted matte white. The CF series means the possibility of changing the color temperature of light in the range from 2800K to 5800K within the DALI control system of luminaires. OTX LED CF can be part of the automated innovative DALI lighting control system, which simulates a solar cycle of changing color temperature throughout the day, as well as the possibility of manual control of the color temperature of the luminaire using DALI DT8 lighting control devices. In addition to the fact that the luminaire provides the most comfortable lighting and is energy-saving, it can positively influence the working capacity, mood and well-being of a person.

### Installation

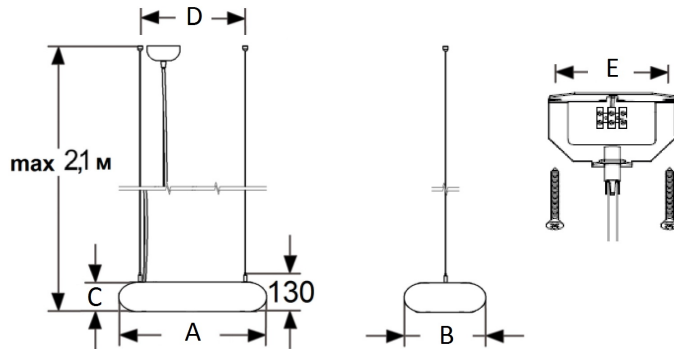
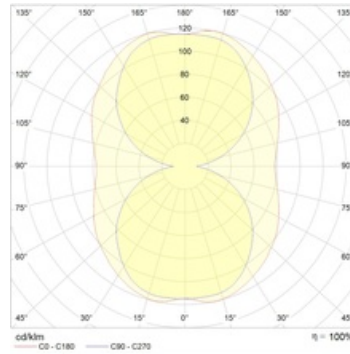
Suspended to a ceiling. To control the color temperature of the luminaires, a DALI lighting control system is required that supports the latest DALI revision of EN62386 Part 209 in the DALI Device Type 8 (DALI DT8) color temperature management plan.

### Design

The diffuser is fastened to the structural bars that hold the control gear.

### Optical part

Opal polyethylene diffuser.



## Dimensional characteristics

A	Length	1400 mm
B	Width	280 mm
C	Height	130 mm
D	Length (mounting)	1100 mm
E	Width (mounting)	65 mm
	Weight	6.5 kg

## Technical features

1	Article no.	1997028430
2	Light source	LED
3	Luminous flux	5000 lm
4	Power compatibility	35 W
5	Energy efficiency	143 lm/W
6	Color rendering index (CRI)	>80
7	Color temperature	2700-5700 K
8	Power factor (cosFI)	> 0,95
9	Alternating/direct current (AC/DC)	No
10	Dimming	Protocol DALI DT8
11	Rated voltage	230 V
12	Electrical shock protection	I
13	Electromagnetic compatibility (EMC)	Yes
14	Climate application	Clm App4
15	Ambient temperature	+5 to +35 C
16	Housing color	White
17	Fire protection class	-
18	Flickering	<5%
19	Ingress protection (IP)	IP40
20	Mechanical shock protection	IK02/0,2 J
21	Energy efficiency class	A++
22	Inrush current	42 A
23	Inrush current impulse time	189 µs
24	Emergency power supply unit	No
25	Beam angle	D120
26	Warranty	60 months
27	Autonomy in emergency mode	-
28	Light flux in emergency mode	-
29	Color of light	Белый