

OLYMPIC LED 80 HFD 4000K /E/

LED-based luminaires for indoor sports facilities



Description

Best choice for indoor sports facilities with a ceiling height of 6 to 10 meters. Can mounted on the ceiling surface (using brackets or wire suspensions) or on a wall using special brackets. Highly-comfortable optics and 100 lm/W luminous efficacy are sound arguments for choosing Olympic LED.

Installation

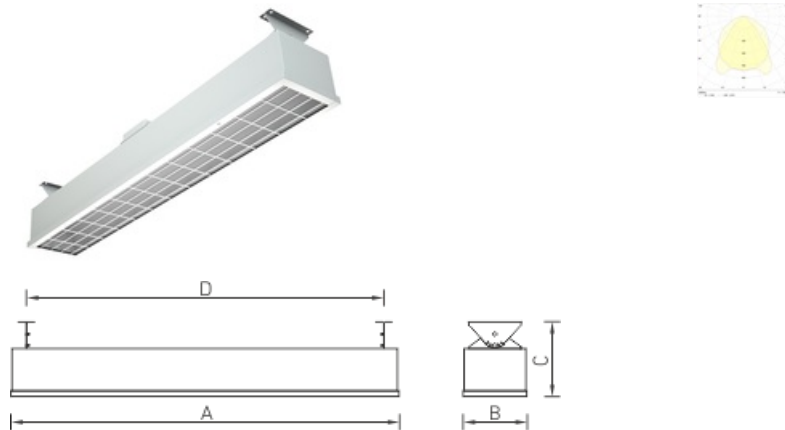
Mounted directly on ceiling or wall surface using the supplied brackets. The brackets for OLYMPIC LED 80 luminaire have adjustable tilt angle ($\pm 20^\circ$ and $\pm 40^\circ$). For suspension, the OLYMPIC Suspension Kit (order code 2230000010) needs to be ordered additionally.

Design

White powder-painted weld sheet steel housing.

Optical part

LEDs covered with a matte PMMA diffuser. White powder-painted galvanized metal grid. LED type: SMD.



Dimensional characteristics

A	Length	1045 mm
B	Width	173 mm
C	Height	200 mm
D	Length (mounting)	973 mm
	Weight	6.5 kg

Technical features

1	Article no.	1997020480
2	Light source	LED
3	Luminous flux	7800 lm
4	Power compatibility	72 W
5	Energy efficiency	108 lm/W
6	Color rendering index (CRI)	>80
7	Color temperature	4000 K
8	Power factor (cosFI)	> 0,99
9	Alternating/direct current (AC/DC)	Yes
10	Dimming	protocol DALI
11	Rated voltage	230 V
12	Electrical shock protection	I
13	Electromagnetic compatibility (EMC)	Yes
14	Climate application	CIm App4
15	Ambient temperature	+5 to +35 C
16	Housing color	White
17	Fire protection class	-
18	Flickering	<5%
19	Ingress protection (IP)	IP20
20	Mechanical shock protection	IK08/6,5 J
21	Energy efficiency class	A+
22	Inrush current	45 A
23	Inrush current impulse time	100 µs
24	Emergency power supply unit	No
25	Beam angle	D120
26	Warranty	60 months
27	Autonomy in emergency mode	-
28	Light flux in emergency mode	-