

## NEPTUNE LED 2x9 Ex

Led luminaires and luminaires for fluorescent lamps

### Description

NEPTUNE series explosion-proof luminaires designed for all classes of indoor and outdoor explosion-hazardous locations in oil/gas and petrochemical industry according to explosion protection marking.

### Installation

Universal mounting bracket with angle adjustment capability.

### Design

Coper-free aluminium alloy housing. The plate, control gear and screw terminals for power supply are mounted inside the housing. It's completed with feffector. Optionally, it can be completed with emergency power supply unit and protection grid (corrosion resistant steel). Mounting straps, fasteners are made of stainless steel.

### Optical part

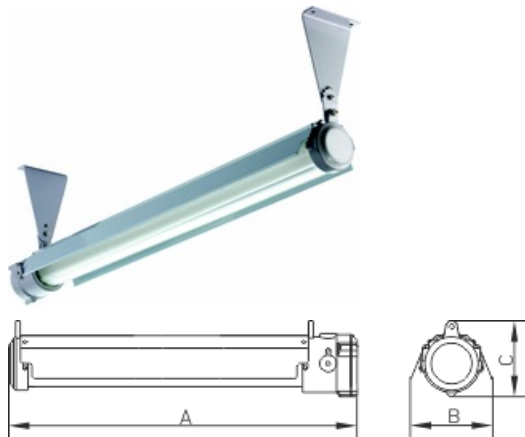
Diffuser is made of impact-resistant tempered borosilicate glass. Reflector is made of anodize aluminium. Optionally, it can be supplied with protection grid.

### EX Mark

1 Ex d IIC T6 Gb/Ex tb IIIC Ta80°C Db

### Characteristics

Expolosin-proof protection according "flameproof enclosure "d", "dust ignition protection"t". Zones: gas explosion protection – 1, 2; dust explosion protection – 21, 22. Terminal: spring terminals, 3x1,5~4 mm<sup>2</sup> (L+N +PE). Emergency starting time: 0,3 s. Recharging time: 24 h. Emergency illuminating time: 120 min (180 min - on request).Earthing: internal and external, M5.



## Dimensional characteristics

A	Length	755 mm
B	Width	180 mm
C	Height	165 mm
D	Length (mounting)	755 mm
E	Width (mounting)	120 mm
	Weight	5.4 kg

## Technical features

1	Article no.	4592000040
2	Marking for gas	-
3	Dust marking	-
4	Mine gas coal dust marking	-
5	Light source	LED
6	Socle	LED
7	Number of Lamps	1
8	Luminous flux	750 lm
9	Power compatibility	18 W
10	Ballast	Driver
11	Dimming	-
12	Power factor (cosFI)	> 0,95
13	Alternating/direct current (AC/DC)	No
14	Rated voltage	230 V
15	Electrical shock protection	I
16	Climate application	Clm App1
17	Ambient temperature	-60 to +55 C
18	Housing color	Grey
19	Fire protection class	Ila
20	Flickering	<5%
21	Ingress protection (IP)	IP66
22	Mechanical shock protection	IK08/7 J
23	Energy efficiency class	D...B
24	Emergency power supply unit	No
25	Beam angle	-
26	Warranty	60 months