

## LZ 248 HFD

LZ series luminaires

### Description

Industrial luminaire with a high IP rating and high luminous efficacy. Designed for harsh operating conditions. Versions can be manufactured with Class II electrical protection, an emergency power supply unit, lighting control function, and vandal-proof construction.

### Installation

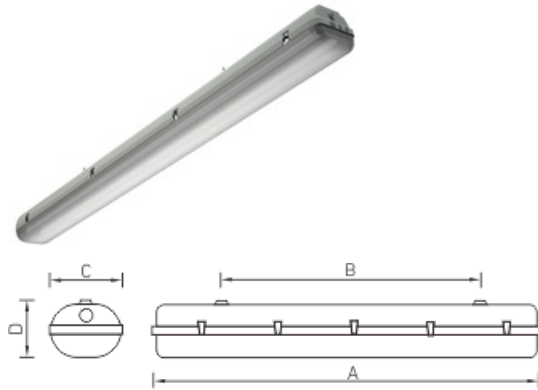
Mounted on the ceiling/wall surface or suspended indoors or under a canopy. Mounting plates and brackets are included.

### Design

Grey polycarbonate housing. Removable metal panel with control gear.

### Optical part

Polycarbonate diffuser secured to the housing with metal latches.



## Technical features

1	Article no.	1073000850
2	Light source	FL
3	Socle	G5
4	Number of Lamps	2
5	Power compatibility	98 W
6	Ballast	ЭПРА DALI
7	Dimming	-
8	Power factor (cosFI)	> 0,96
9	Alternating/direct current (AC/DC)	-
10	Rated voltage	220 V
11	Electrical shock protection	I
12	Electromagnetic compatibility (EMC)	Yes
13	Climate application	CIm App2
14	Ambient temperature	-20 to +40 C
15	Housing color	Grey
16	Fire protection class	-
17	Flickering	<25%
18	Ingress protection (IP)	IP65
19	Mechanical shock protection	-
20	Energy efficiency class	-
21	Emergency power supply unit	No
22	Beam angle	-