

## LED MALL ECO 35 D30 IP54 4000K /E/

LINE series dust- and moisture-proof LED-based luminaire



### Description

The LED MALL ECO IP54 series dust- and moisture-proof LED-based luminaires in a compact extruded aluminum housing can efficiently replace continuous-row lighting systems based on fluorescent lamps. The high luminous flux, luminous efficacy up to 120 lm/W, two LDC options, high CRI, and the possibility to create long light lines significantly expand the range of applications for these luminaires, enabling their use both in large and mid-size retail sales areas as well as in auxiliary and storage facilities.

### Installation

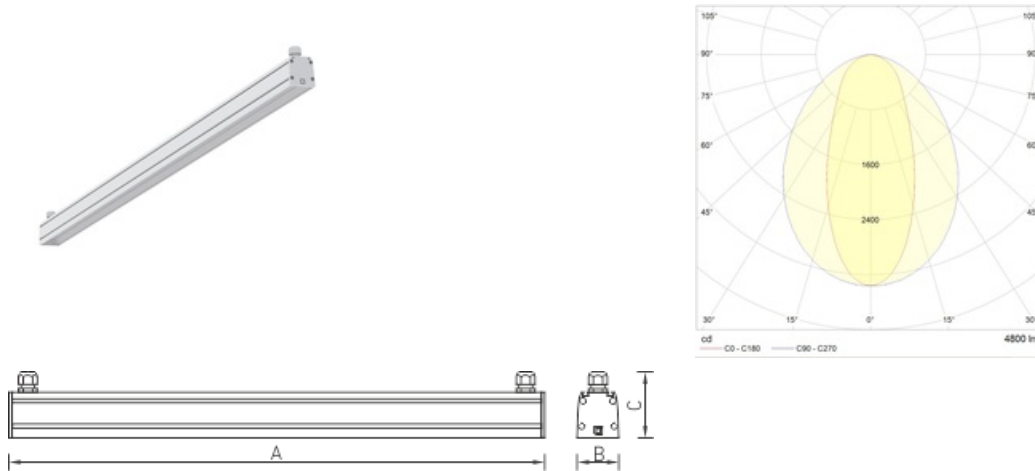
Mounted on the ceiling surface using brackets or suspended to the ceiling. LED MALL ECO connecting bracket is used for in-line connection (1 pc per connection). For sealed electrical connection and power supply, THB cable connector is used. The minimum required number of suspensions for in-line installation is 1 suspension/bracket kit per luminaire. The cable connector, LED MALL ECO bracket kit for surface mounting, and LED MALL ECO suspension kit are supplied separately.

### Design

White powder-painted extruded aluminum housing. The power supply unit is installed inside the housing.

### Optical part

PMMA opal diffuser or lens. LED type: SMD.



## Dimensional characteristics

A	Length	1500 mm
B	Width	53 mm
C	Height	100 mm
D	Length (mounting)	1300 mm
	Weight	3.4 kg

## Technical features

1	Article no.	1997023780
2	Light source	LED
3	Luminous flux	4800 lm
4	Power compatibility	38 W
5	Energy efficiency	126 lm/W
6	Color rendering index (CRI)	>80
7	Color temperature	4000 K
8	Power factor (cosFI)	> 0,98
9	Alternating/direct current (AC/DC)	Yes
10	Dimming	-
11	Rated voltage	230 V
12	Electrical shock protection	I
13	Electromagnetic compatibility (EMC)	Yes
14	Climate application	CIm App4
15	Ambient temperature	-25 to +40 C
16	Housing color	White
17	Fire protection class	-
18	Flickering	<5%
19	Ingress protection (IP)	IP54
20	Mechanical shock protection	IK02/0,2 J
21	Energy efficiency class	A+
22	Inrush current	45 A
23	Inrush current impulse time	100 µs
24	Emergency power supply unit	No
25	Beam angle	D30
26	Warranty	60 months
27	Autonomy in emergency mode	-
28	Light flux in emergency mode	-