

LEADER LED 50 A30 4000K /E/

Floodlights



Description

Universal LED floodlight for architectural and area lighting. Several power options, two bodies, 3 standard optics and housing color options make this product applicable for any kind of outdoor lighting.

Installation

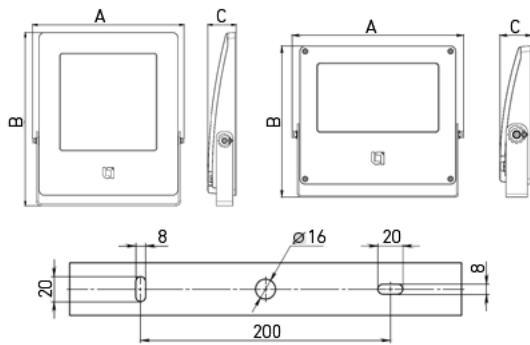
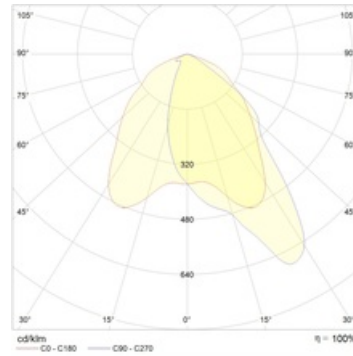
Surface-mounted using a special bracket.

Design

The housing and the universal adjustable mounting fixture are made of die-cast aluminum. A driver is installed inside the housing.

Optical part

Complex cluster-type optics with a wide light distribution. Protective tempered glass diffuser.



Dimensional characteristics

A	Length	335 mm
B	Width	295 mm
C	Height	64 mm
D	Length (mounting)	200 mm
	Weight	4.4 kg

Technical features

1	Article no.	1997029110
2	Light source	LED
3	Luminous flux	6100 lm
4	Power compatibility	56 W
5	Energy efficiency	109 lm/W
6	Color rendering index (CRI)	>70
7	Color temperature	4000 K
8	Power factor (cosFI)	> 0,95
9	Alternating/direct current (AC/DC)	No
10	Dimming	-
11	Rated voltage	230 V
12	Electrical shock protection	I
13	Electromagnetic compatibility (EMC)	Yes
14	Climate application	Clm App1
15	Ambient temperature	-40 to +40 C
16	Housing color	Grey
17	Fire protection class	I,II,IIa,III
18	Flickering	<5%
19	Ingress protection (IP)	IP66
20	Mechanical shock protection	IK08/5 J
21	Energy efficiency class	A+
22	Inrush current	-
23	Inrush current impulse time	0 μs
24	Emergency power supply unit	No
25	Beam angle	D120
26	Warranty	60 months
27	Autonomy in emergency mode	-
28	Light flux in emergency mode	-
29	Color of light	Белый