

JET/T LED 35 B D45 4000K /E/

Spot lighting luminaire with concentrating optics



Description

Adjustable LED-based luminaire with concentrating optics for installation on three-phase euro-DIN track. The stylish and futuristic look, absence of a visible driver box, choice of color temperatures, reflector angles from narrow (15 degrees) to medium (45 degrees), and optical filters make it ideal for a variety of lighting and design applications.

Installation

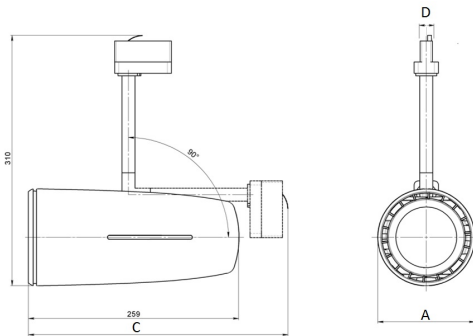
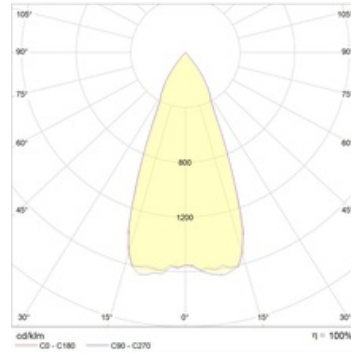
Mounted on a three-phase euro-DIN track.

Design

Powder-painted die-cast aluminum housing. The luminaire can be tilted up to 90 degrees from the vertical and up to 355 degrees from the horizontal. The driver is mounted inside the housing.

Optical part

Aluminium reflector. Tempered glass diffuser. LED type: COB.



Dimensional characteristics

A	Diameter	120 mm
C	Height	320 mm
D	Length (mounting)	118 mm
	Weight	2 kg

Technical features

1	Article no.	1997016410
2	Light source	LED
3	Luminous flux	3950 lm
4	Power compatibility	35 W
5	Energy efficiency	113 lm/W
6	Color rendering index (CRI)	>80
7	Color temperature	4000 K
8	Power factor (cosFI)	> 0,96
9	Alternating/direct current (AC/DC)	Yes
10	Dimming	-
11	Rated voltage	230 V
12	Electrical shock protection	I
13	Electromagnetic compatibility (EMC)	Yes
14	Climate application	Clim App4
15	Ambient temperature	+5 to +35 C
16	Housing color	Black
17	Fire protection class	-
18	Flickering	<5%
19	Ingress protection (IP)	IP20
20	Mechanical shock protection	IK02/0,2 J
21	Energy efficiency class	A+
22	Inrush current	10 A
23	Inrush current impulse time	0 µs
24	Emergency power supply unit	No
25	Beam angle	D45
26	Warranty	60 months
27	Autonomy in emergency mode	-
28	Light flux in emergency mode	-