

HUGO 3000K AL/WH

Wall-mounted LED-based luminaire

Description

Wall-mounted indirect luminaire. Housing is made of extruded aluminum painted mat white.

Installation

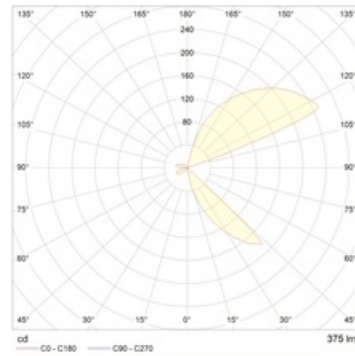
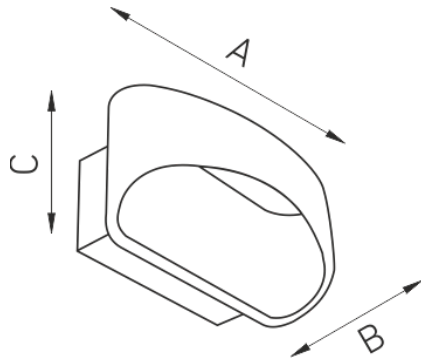
On a wall.

Design

Matte painted extruded aluminum housing. Color finish: AL – polished aluminum, BL/GL – black & gold, WH- white. Standard color: WH - white.

Optical part

Aluminum reflector.



Dimensional characteristics

A	Length	170 mm
B	Width	100 mm
C	Height	80 mm
	Weight	0.6 kg

Technical features

1	Article no.	1560000030
2	Light source	LED
3	Luminous flux	375 lm
4	Power compatibility	6 W
5	Energy efficiency	63 lm/W
6	Color rendering index (CRI)	>80
7	Color temperature	3000 K
8	Power factor (cosFI)	> 0,90
9	Alternating/direct current (AC/DC)	No
10	Dimming	-
11	Rated voltage	230 V
12	Electrical shock protection	I
13	Electromagnetic compatibility (EMC)	Yes
14	Climate application	CIm App4
15	Ambient temperature	+5 to +35 C
16	Housing color	Silver
17	Fire protection class	I,II,III
18	Flickering	-
19	Ingress protection (IP)	IP20
20	Mechanical shock protection	IK02/0,2 J
21	Energy efficiency class	A
22	Inrush current	-
23	Inrush current impulse time	0 µs
24	Emergency power supply unit	No
25	Beam angle	D120
26	Warranty	60 months
27	Autonomy in emergency mode	-
28	Light flux in emergency mode	-
29	Color of light	Белый