

## Granda NBT 18 F218 MS silver

### Wall-mounted luminaires

#### Description

Luminaire with a high degree of protection. Die-cast aluminum housing. Impact-resistant polycarbonate diffuser. Suitable for both functional and decorative uses.

#### Installation

Mounted on the ceiling or wall surface.

#### Design

Powder-painted die-cast aluminum housing, made of die-cast aluminum. The control gear is mounted on a metal plate inside the housing. Stable CFL operation at ambient temperatures down to -20 °C.

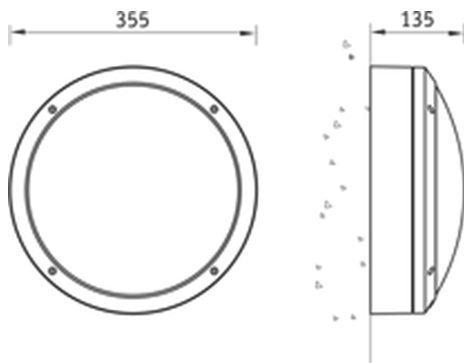
#### Optical part

Opal polycarbonate diffuser.

#### Product picture:



#### Dimensions:



<b>A</b>	<b>Length</b>	<b>359 mm</b>
<b>C</b>	<b>Height</b>	<b>131 mm</b>
	<b>Weight</b>	<b>3.7 kg</b>

## Technical features

1	Article no.	1430000210
2	Light source	CFL
3	Socle	G24d-3
4	Number of Lamps	2
5	Power compatibility	36 W
6	Ballast	EmCG
7	Dimming	-
8	Power factor (cosFI)	> 0,85
9	Alternating/direct current (AC/DC)	-
10	Rated voltage	220 V
11	Electrical shock protection	I
12	Electromagnetic compatibility (EMC)	Yes
13	Climate application	CIm App1
14	Ambient temperature	-40 to +40 C
15	Housing color	Silver
16	Fire protection class	-
17	Flickering	<40%
18	Ingress protection (IP)	IP65
19	Mechanical shock protection	IK00
20	Energy efficiency class	-
21	Emergency power supply unit	No
22	Beam angle	-