

DAMIN NBT 21 H70 black

Wall-mounted luminaires

Description

DAMIN is a family of vandal-proof luminaires in a compact aluminum housing with a high degree of protection (IP65) for illuminating passages, utility rooms, entrances, and building areas.

Installation

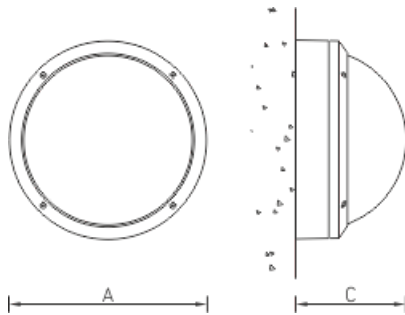
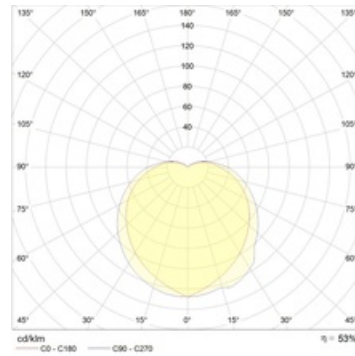
Mounted on the ceiling or wall surface.

Design

Housing is made of die-cast aluminum. The control gear is mounted on a metal plate inside the housing. Stable CFL operation at ambient temperatures down to -20°C .

Optical part

Opal diffuser of polycarbonate.



Dimensional characteristics

A	Diameter	355 mm
C	Height	200 mm
D	Length (mounting)	270 mm
	Weight	4.5 kg

Technical features

1	Article no.	1432000040
2	Light source	MHL
3	Socle	E27
4	Number of Lamps	1
5	Power compatibility	70 W
6	Ballast	EmCG
7	Dimming	-
8	Power factor (cosFI)	> 0,85
9	Alternating/direct current (AC/DC)	No
10	Rated voltage	230 V
11	Electrical shock protection	I
12	Electromagnetic compatibility (EMC)	Yes
13	Climate application	Clm App1
14	Ambient temperature	-40 to +40 C
15	Housing color	Black
16	Fire protection class	-
17	Flickering	<60%
18	Ingress protection (IP)	IP65
19	Mechanical shock protection	IK10/20 J
20	Energy efficiency class	B...A+
21	Emergency power supply unit	No
22	Beam angle	-
23	Warranty	36 months