

## DAMIN NBT 21 F226 MS silver

### Wall-mounted luminaires

#### Description

DAMIN is a family of vandal-proof luminaires in a compact aluminum housing with a high degree of protection (IP65) for illuminating passages, utility rooms, entrances, and building areas.

#### Installation

Mounted on the ceiling or wall surface.

#### Design

Housing is made of die-cast aluminum. The control gear is mounted on a metal plate inside the housing. Stable CFL operation at ambient temperatures down to -20 °C.

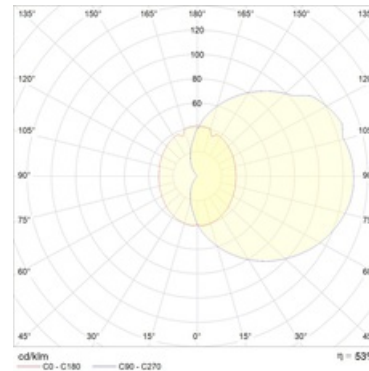
#### Optical part

Opal diffuser of polycarbonate.

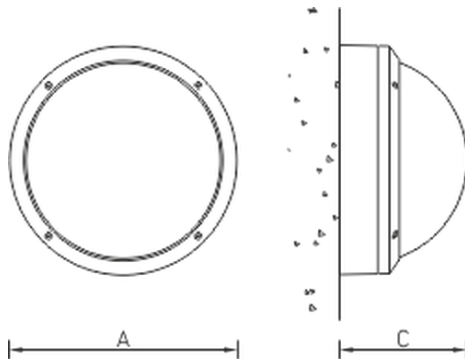
#### Product picture:



#### Light distribution:



#### Dimensions:



<b>A</b>	<b>Length</b>	<b>355 mm</b>
<b>C</b>	<b>Height</b>	<b>200 mm</b>
	<b>Weight</b>	<b>4.5 kg</b>

## Technical features

1	Article no.	1432000220
2	Light source	CFL
3	Socle	G24d-3
4	Number of Lamps	2
5	Power compatibility	52 W
6	Ballast	EmCG
7	Dimming	-
8	Power factor (cosFI)	> 0,85
9	Alternating/direct current (AC/DC)	-
10	Rated voltage	220 V
11	Electrical shock protection	I
12	Electromagnetic compatibility (EMC)	Yes
13	Climate application	CIm App1
14	Ambient temperature	-40 to +40 C
15	Housing color	Silver
16	Fire protection class	-
17	Flickering	<40%
18	Ingress protection (IP)	IP65
19	Mechanical shock protection	IK00
20	Energy efficiency class	-
21	Emergency power supply unit	Yes
22	Beam angle	-