

## DAMIN NBT 21 F226 black

### Wall-mounted luminaires

#### Description

DAMIN is a family of vandal-proof luminaires in a compact aluminum housing with a high degree of protection (IP65) for illuminating passages, utility rooms, entrances, and building areas.

#### Installation

Mounted on the ceiling or wall surface.

#### Design

Housing is made of die-cast aluminum. The control gear is mounted on a metal plate inside the housing. Stable CFL operation at ambient temperatures down to -20 °C.

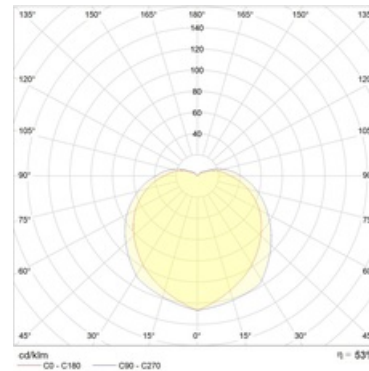
#### Optical part

Opal diffuser of polycarbonate.

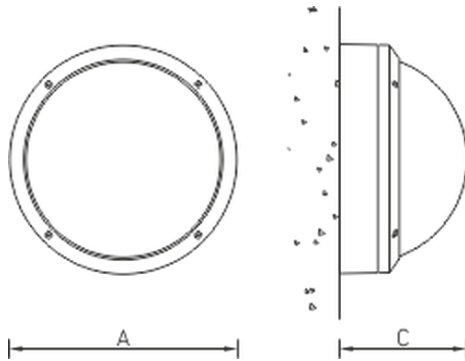
#### Product picture:



#### Light distribution:



#### Dimensions:



|          |                          |               |
|----------|--------------------------|---------------|
| <b>A</b> | <b>Diameter</b>          | <b>355 mm</b> |
| <b>C</b> | <b>Height</b>            | <b>200 mm</b> |
| <b>D</b> | <b>Length (mounting)</b> | <b>270 mm</b> |
|          | <b>Weight</b>            | <b>4.4 kg</b> |

## Technical features

|    |                                     |              |
|----|-------------------------------------|--------------|
| 1  | Article no.                         | 1432000010   |
| 2  | Light source                        | CFL          |
| 3  | Socle                               | G24d-3       |
| 4  | Number of Lamps                     | 2            |
| 5  | Power compatibility                 | 52 W         |
| 6  | Ballast                             | EmCG         |
| 7  | Dimming                             | -            |
| 8  | Power factor (cosFI)                | > 0,85       |
| 9  | Alternating/direct current (AC/DC)  | No           |
| 10 | Rated voltage                       | 230 V        |
| 11 | Electrical shock protection         | I            |
| 12 | Electromagnetic compatibility (EMC) | Yes          |
| 13 | Climate application                 | CIm App1     |
| 14 | Ambient temperature                 | -40 to +40 C |
| 15 | Housing color                       | Black        |
| 16 | Fire protection class               | -            |
| 17 | Flickering                          | <60%         |
| 18 | Ingress protection (IP)             | IP65         |
| 19 | Mechanical shock protection         | IK10/20 J    |
| 20 | Energy efficiency class             | B...A+       |
| 21 | Emergency power supply unit         | No           |
| 22 | Beam angle                          | -            |
| 23 | Warranty                            | 36 months    |