

DAMIN L LED 40 black 4000K /E/

Wall/ceiling-mounted LED-based luminaires

Description

DAMIN LED is a family of vandal-proof luminaires in a compact aluminum housing with a high degree of protection (IP65) for illuminating passages, utility rooms, entrances, and building areas.

Installation

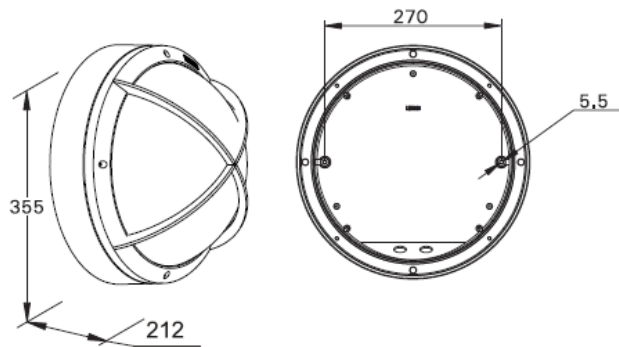
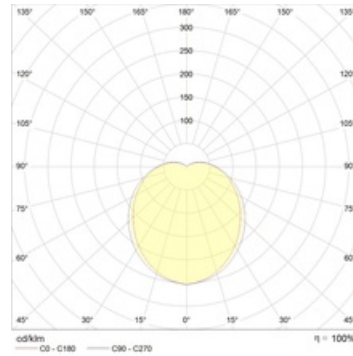
Mounted on the ceiling or wall surface.

Design

Powder-painted anodized aluminum housing. The light source (a LED module) is installed inside the housing.

Optical part

Opal diffuser of polycarbonate. LED type: SMD.



Dimensional characteristics

A	Diameter	355 mm
C	Height	212 mm
D	Length (mounting)	270 mm
	Weight	4 kg

Technical features

1	Article no.	1997020350
2	Light source	LED
3	Luminous flux	3100 lm
4	Power compatibility	30 W
5	Energy efficiency	103 lm/W
6	Color rendering index (CRI)	>80
7	Color temperature	4000 K
8	Power factor (cosFI)	> 0,96
9	Alternating/direct current (AC/DC)	Yes
10	Dimming	-
11	Rated voltage	230 V
12	Electrical shock protection	I
13	Electromagnetic compatibility (EMC)	Yes
14	Climate application	Clim App1
15	Ambient temperature	-30 to +30 C
16	Housing color	Black
17	Fire protection class	-
18	Flickering	<5%
19	Ingress protection (IP)	IP65
20	Mechanical shock protection	IK10/20 J
21	Energy efficiency class	A+
22	Inrush current	7 A
23	Inrush current impulse time	0 µs
24	Emergency power supply unit	No
25	Beam angle	D120
26	Warranty	60 months
27	Autonomy in emergency mode	-
28	Light flux in emergency mode	-