

CORRIDO D 249 HF

Modular suspension system



Description

Corrido series: pendant luminaires based on aluminum profile with different optics. Can be used individually or connected in a line. Corrido L, LR, D, and DR are designed for general lighting. Corrido NS and NSR are suitable for both general and accent lighting

Installation

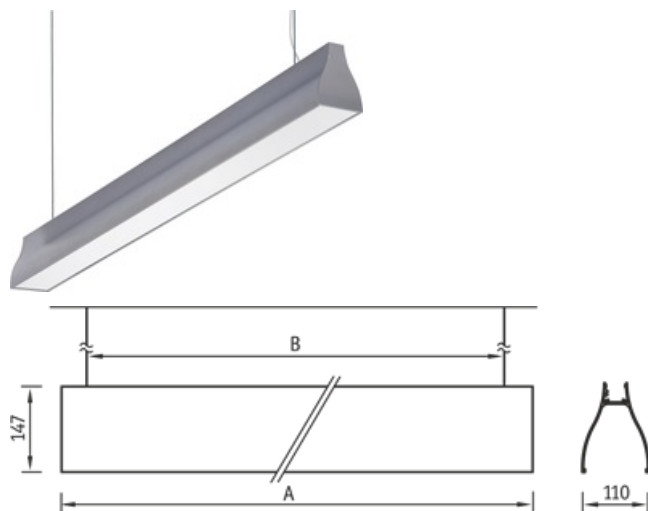
Mounted on the ceiling surface using the included wire-rope suspensions (max. 2 m). CORRIDO L, CORRIDO D are designed for individual installation. CORRIDO LR, CORRIDO DR are designed for in-line installation. For in-line installation, an in-line connection kit has to be ordered that includes 2 end caps, a power cord, and a ceiling cup. Order codes for the in-line connector kit: 2121000010 (CORRIDO LR, CORRIDO DR); 2121000030 (CORRIDO LR HFR, CORRIDO DR HFR).

Design

Metallic powder-painted aluminum profile housing. Can be optionally painted in RAL colors. Control gear is installed inside the housing.

Optical part

CORRIDO D: opal polymeric diffuser. CORRIDO L: double parabolic specular louver made of MIRO aluminum.



Technical features

1	Article no.	1121001400
2	Light source	FL
3	Socle	G5
4	Number of Lamps	2
5	Power compatibility	98 W
6	Ballast	ECG
7	Dimming	-
8	Power factor (cosFI)	> 0,96
9	Alternating/direct current (AC/DC)	-
10	Rated voltage	220 V
11	Electrical shock protection	I
12	Electromagnetic compatibility (EMC)	Yes
13	Climate application	CIm App4
14	Ambient temperature	+5 to +35 C
15	Housing color	Metallic
16	Fire protection class	-
17	Flickering	<40%
18	Ingress protection (IP)	IP20
19	Mechanical shock protection	IK00
20	Energy efficiency class	A...A+
21	Emergency power supply unit	No
22	Beam angle	-