

CLASSIC LED 70 OPL 4000K /E/

Park luminaires

Description

CLASSIC LED - family of classical park luminaires for pedestrian areas of cities.

Installation

Post top mounting(diameter 60 mm)

Design

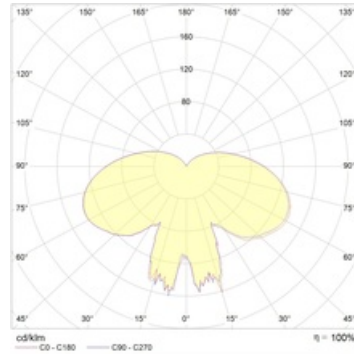
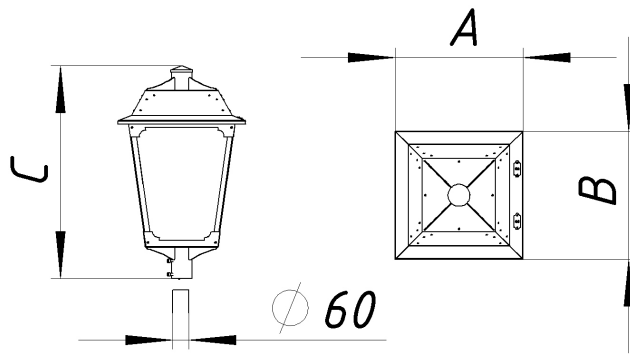
Housing made of steel. Diffuser made of PC. Tempered protection glass.

Optical part

Tempered glass and PC opal cover.

Package

Luminaire assembled.



Dimensional characteristics

A	Length	475 mm
B	Width	475 mm
C	Height	790 mm
	Weight	17 kg

Technical features

1	Article no.	1997027430
2	Light source	LED
3	Luminous flux	5150 lm
4	Power compatibility	68 W
5	Energy efficiency	76 lm/W
6	Color rendering index (CRI)	>80
7	Color temperature	4000 K
8	Power factor (cosFI)	> 0,96
9	Alternating/direct current (AC/DC)	No
10	Dimming	-
11	Rated voltage	230 V
12	Electrical shock protection	I
13	Electromagnetic compatibility (EMC)	Yes
14	Climate application	Clim App1
15	Ambient temperature	-40 to +40 C
16	Housing color	Black
17	Fire protection class	-
18	Flickering	<5%
19	Ingress protection (IP)	IP65
20	Mechanical shock protection	IK08/5 J
21	Energy efficiency class	A
22	Inrush current	-
23	Inrush current impulse time	0 µs
24	Emergency power supply unit	No
25	Beam angle	D120
26	Warranty	60 months
27	Autonomy in emergency mode	-
28	Light flux in emergency mode	-