

# BAT UNI LED 1500 RS 4000K /E/

UNIVERSAL series luminaires



## Description

Simple and reliable luminaire that has a multitude of applications.

## Installation

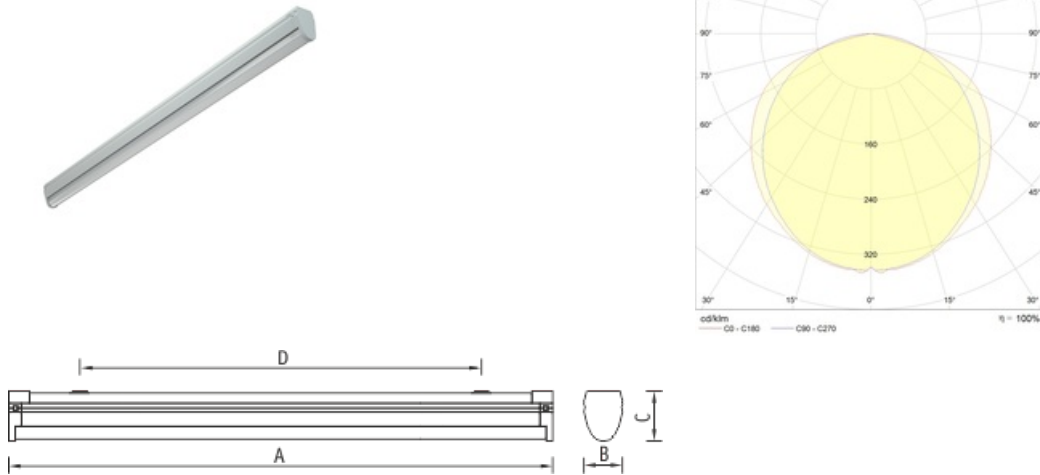
Ceiling or wall Installation on surface, mounting brackets or wire suspension possible. For installation using suspensions you need to order 2 suspensions per one luminaire (rope, cup, fixing element).

## Design

All-metal welded housing made of sheet steel, powder coated white, with end cups made of polymeric material. BAT UNI LED RS modification is additionally completed with symmetric reflector, BAT UNI LED AS — with asymmetric reflector.

## Optical part

Opal PMMA diffuser. LED type: SMD.



## Dimensional characteristics

A	Length	1488 mm
B	Width	124 mm
C	Height	75 mm
D	Length (mounting)	1100 mm
	Weight	2.7 kg

## Technical features

1	Article no.	1997014790
2	Light source	LED
3	Luminous flux	2600 lm
4	Power compatibility	26 W
5	Energy efficiency	100 lm/W
6	Color rendering index (CRI)	>80
7	Color temperature	4000 K
8	Power factor (cosFI)	> 0,98
9	Alternating/direct current (AC/DC)	No
10	Dimming	-
11	Rated voltage	230 V
12	Electrical shock protection	I
13	Electromagnetic compatibility (EMC)	Yes
14	Climate application	CIm App4
15	Ambient temperature	+5 to +35 C
16	Housing color	White
17	Fire protection class	-
18	Flickering	<5%
19	Ingress protection (IP)	IP20
20	Mechanical shock protection	IK02/0,2 J
21	Energy efficiency class	A+
22	Inrush current	20 A
23	Inrush current impulse time	200 µs
24	Emergency power supply unit	No
25	Beam angle	D120
26	Warranty	60 months
27	Autonomy in emergency mode	-
28	Light flux in emergency mode	-