

ARCTIC 236 (PC/SMC) HF with flat reflector

ARCTIC series luminaires



Description

Industrial luminaire with an opal diffuser, high IP rating, and high luminous efficacy. Versions can be manufactured with Class II electrical protection, an emergency power supply unit, and lighting control function. Fluorescent lamps are used as the light source.

Installation

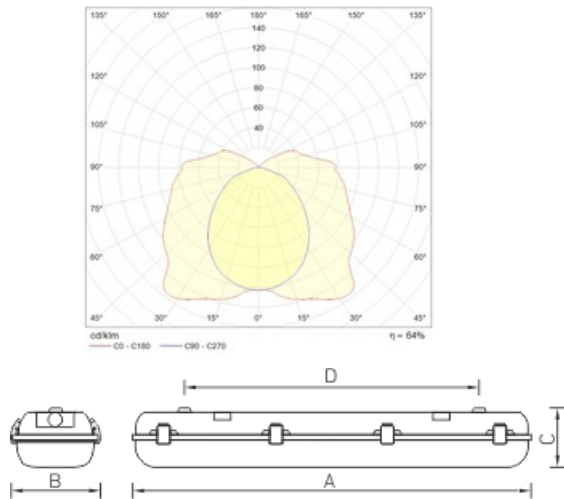
Mounted directly on the ceiling or wall surface without mounting plates. For suspension, a special mounting kit is required (ARCTIC Luminaire Wire Rope/Curly Hook Mounting Kit, order code 2069000330). Can be made to order with through wiring.

Design

Fiberglass-reinforced SMC polyester housing. Removable metal panel with control gear. Versions with Class II electrical protection can be made to order.

Optical part

Polycarbonate diffuser secured in the housing with polyamide latches. Can be supplied to order with stainless steel latches.



Technical features

1	Article no.	1069006740
2	Light source	FL
3	Socle	G13
4	Number of Lamps	2
5	Power compatibility	72 W
6	Ballast	ECG
7	Dimming	-
8	Power factor (cosFI)	> 0,96
9	Alternating/direct current (AC/DC)	-
10	Rated voltage	220 V
11	Electrical shock protection	I
12	Electromagnetic compatibility (EMC)	Yes
13	Climate application	CIm App2
14	Ambient temperature	-20 to +40 C
15	Housing color	White
16	Fire protection class	-
17	Flickering	<25%
18	Ingress protection (IP)	IP65
19	Mechanical shock protection	-
20	Energy efficiency class	A
21	Emergency power supply unit	No
22	Beam angle	-